



Fire Features

HALO 36 ELEVATED
ELECTRONIC START NG

Fire is beautiful and also dangerous if not handled properly. Please have a qualified gas fitter setup and install this product according to local codes.

This product has been tested and certified by Labtest Certification Inc. as being safe, as long as these **minimum clearances to adjacent materials** are maintained.

FOR OUTDOOR USE ONLY

ANSI Z21.97-2014
CSA 2.41-2014



BURNER SPECS

Ignition: Electronic
Electrical: 24V / 110 VAC
1.5A, 60 hz
Gas type: Natural Gas
BTU / kWh: 40,000/11.7
Gas pressure: 3.5" - 7.0" w.c.
Construction: Brass, Aluminum, S.S.

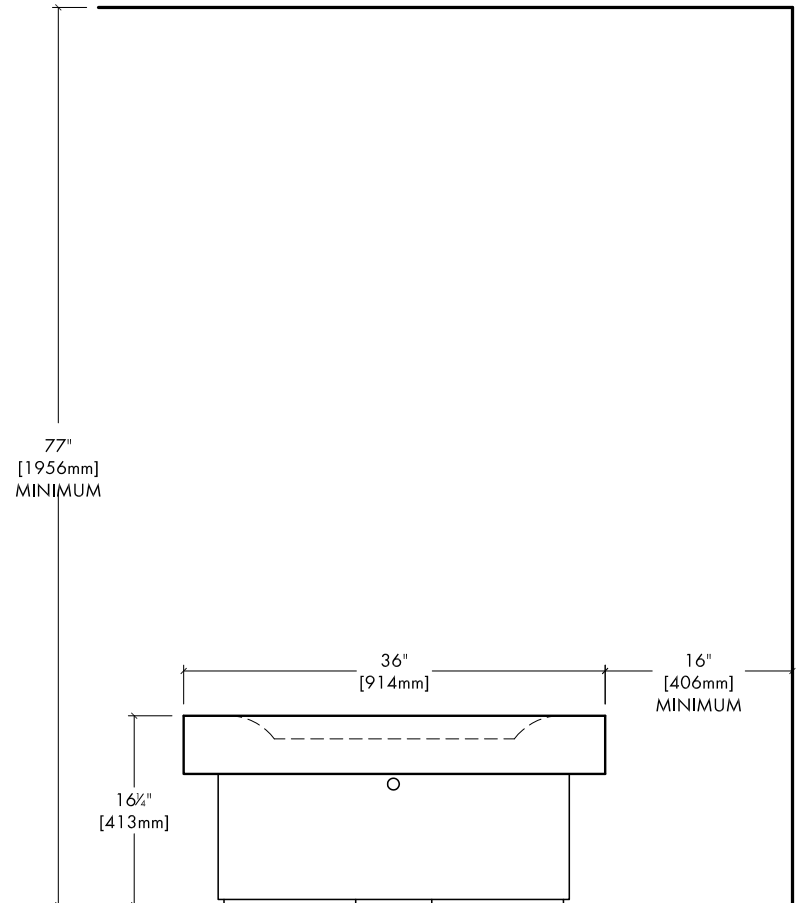
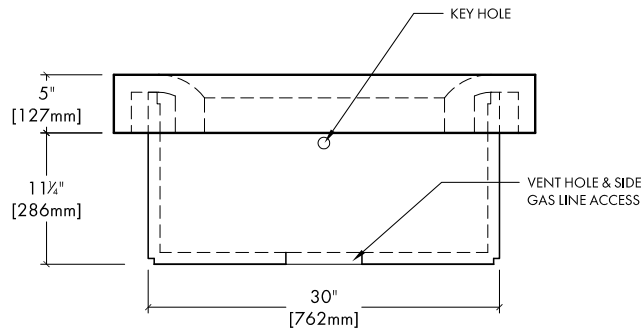
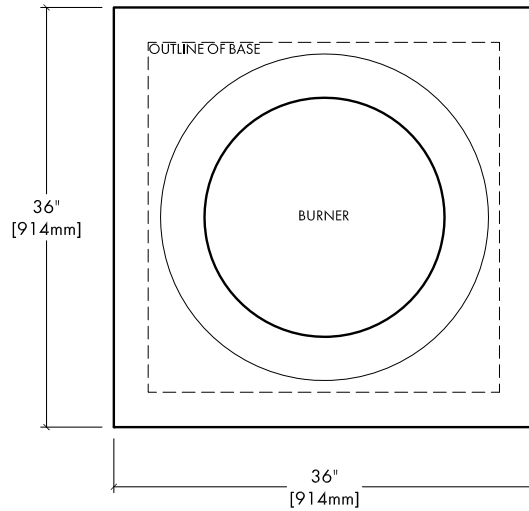
CONCRETE SPECS

Strength: 10,000 psi (proprietary)
Weight: Top - 190 lbs / 85 kg
Base - 170 lbs / 77 kg
Bottom - 60 lbs / 27 kg

JOB / ORDER

Name or Number:

Signature & Date:



CLEARANCES to ADJACENT MATERIALS